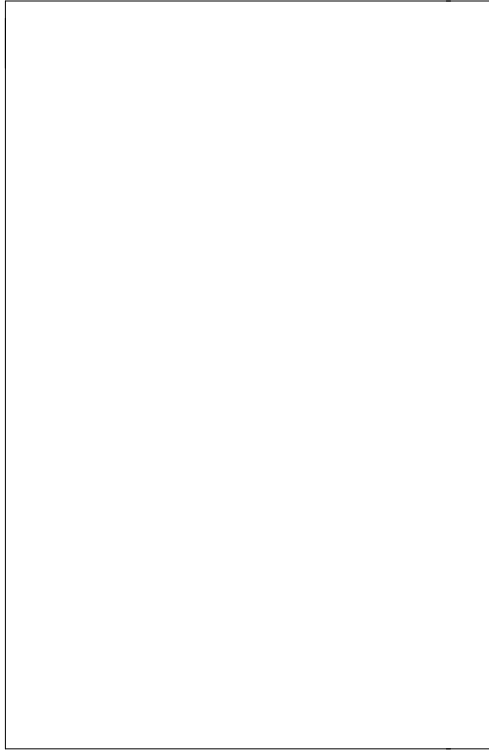


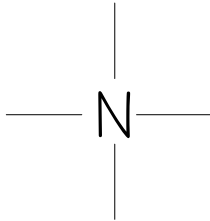
SITE PLAN

STREET/LANE

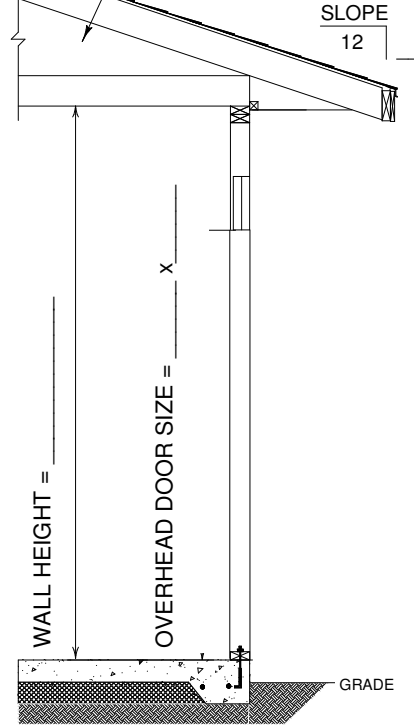


STREET/LANE

- PLACE AN ARROWHEAD TO INDICATE NORTH
- INDICATE STREETS & LANES NEXT TO YOUR LOT
- SHOW LOT SIZE
- SHOW RESIDENCE AND GARAGE LOCATION ON SITE PLAN
- SHOW DISTANCES FROM BUILDING WALLS TO PROPERTY LINES & OTHER BUILDINGS
- SHOW DOOR & WINDOW LOCATIONS
- SHOW LOCATION OF BURIED UTILITIES



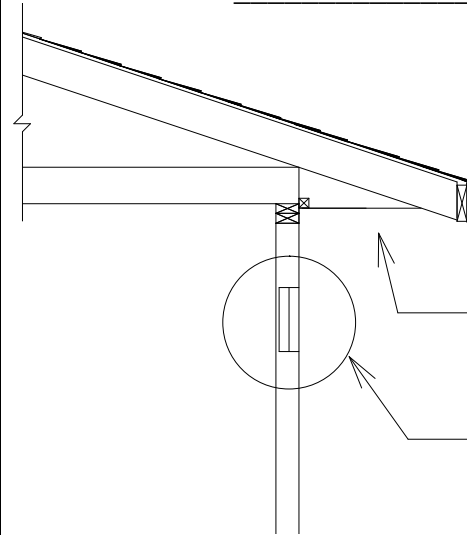
UNOBSTRUCTED VENT AREA SHALL BE NOT LESS THAN 1/300 OF INSULATED CEILING AREA



ROOF & CEILING CONSTRUCTION

ASPHALT SHINGLES

_____ ROOF SHEATHING
 ENG. ROOF TRUSSES @ _____ O.C.
 C/W _____ EAVE OVERHANG
 R _____ INSULATION
 VAPOUR BARRIER
 _____ INTERIOR CEILING FINISH

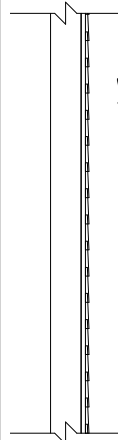


OVERHANG WIDTH = _____"

PROPOSED LINTEL SIZE = _____ PLIES OF 2" x _____"

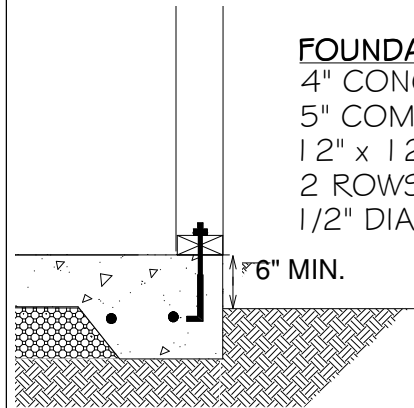
WALL CONSTRUCTION

INTERIOR FINISH = _____
 VAPOUR BARRIER & R _____ INSULATION
 2 x _____ STUDS @ _____" O.C.
 _____ PLYWOOD SHEATHING
 EXTERIOR FINISH _____



FOUNDATION

4" CONCRETE SLAB
 5" COMPACTED GRAVEL FILL
 12" x 12" CONTINUOUS CONC. FTG c/w
 2 ROWS OF 1/2" REBAR
 1/2" DIAM ANCHOR BOLTS @ 8'-0" O.C. MAX



OWNER: _____
 ADDRESS: _____
 DATE: _____

BUILDING PERMIT # _____

PROJECT COST \$ _____

GARAGE SIZE _____ X _____

CITY OF WEYBURN
 DETACHED GARAGE PROPOSAL